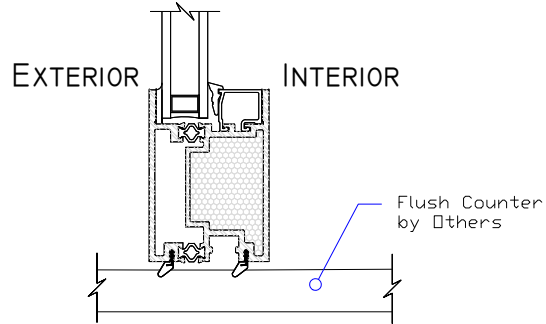
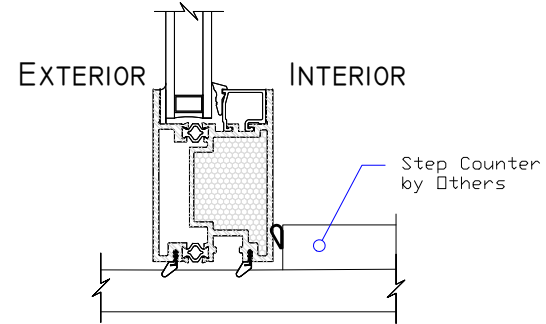


OPTVUE 7 SILL OPTIONS - SECTION VIEW

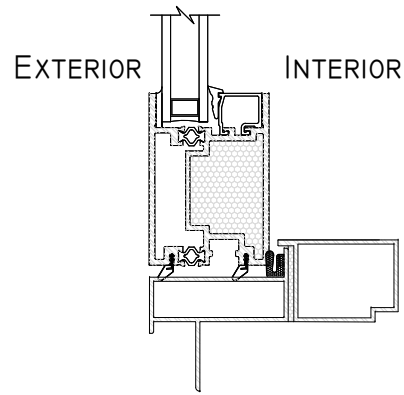
FLUSH COUNTER SILL



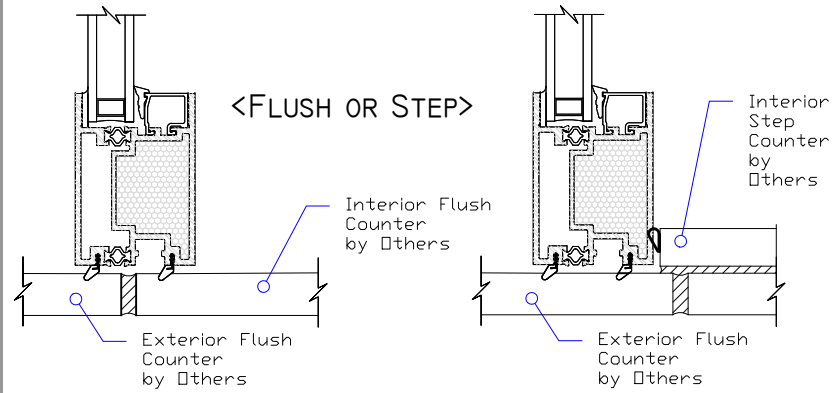
STEP COUNTER SILL



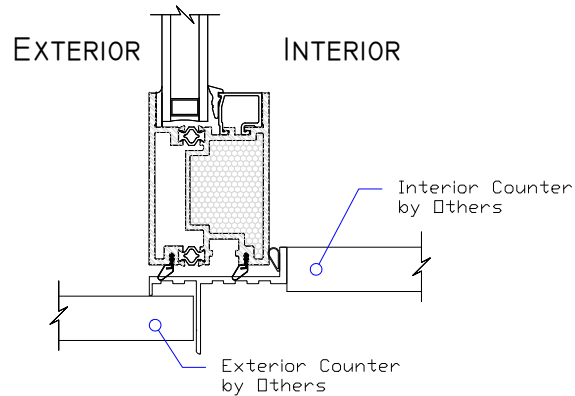
FULL BOUND SILL



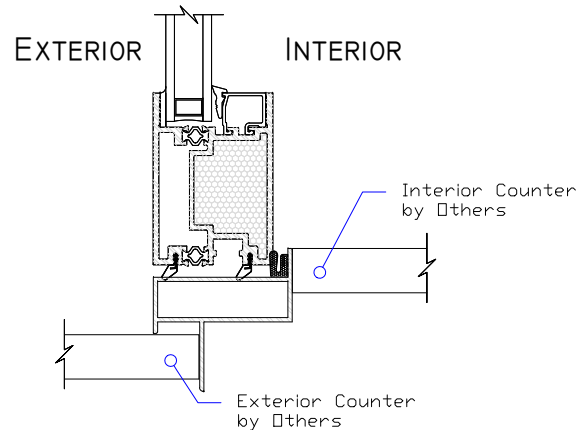
THERMALLY BROKEN COUNTER SILL BY OTHERS



MINIMAL SILL



HYBRID SILL



General Notes

Manufacturer Name and Address

OPTVUE
3204 PRODUCTION AVE
OCEANSIDE, CA 92058
+1(760) 760-0110



JOB NAME
SILL TYPES

Date
1/1/2024

Scale
-

Sheet

1