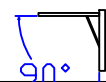


THRUVUE™ INFINITY GAS STRUT WINDOW

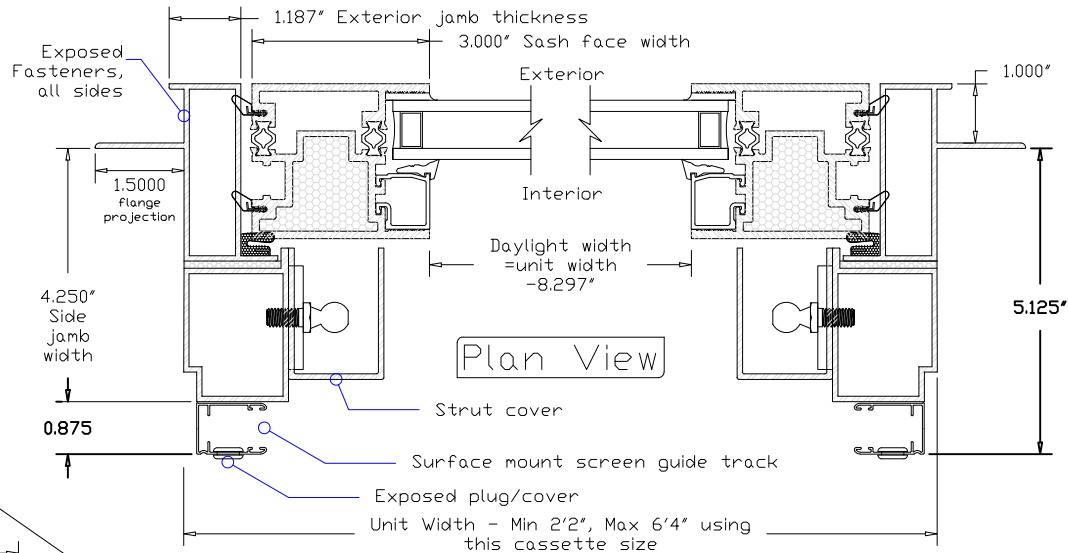
BUILD 3 SL ALUMINUM EXT/ ALUMINUM INT

Unit Width:	60.000"	Open angle Straight out 
Unit Height:	60.000"	
R.D. Width:	60.500"	
R.D. Height:	60.500"	

Approved By:

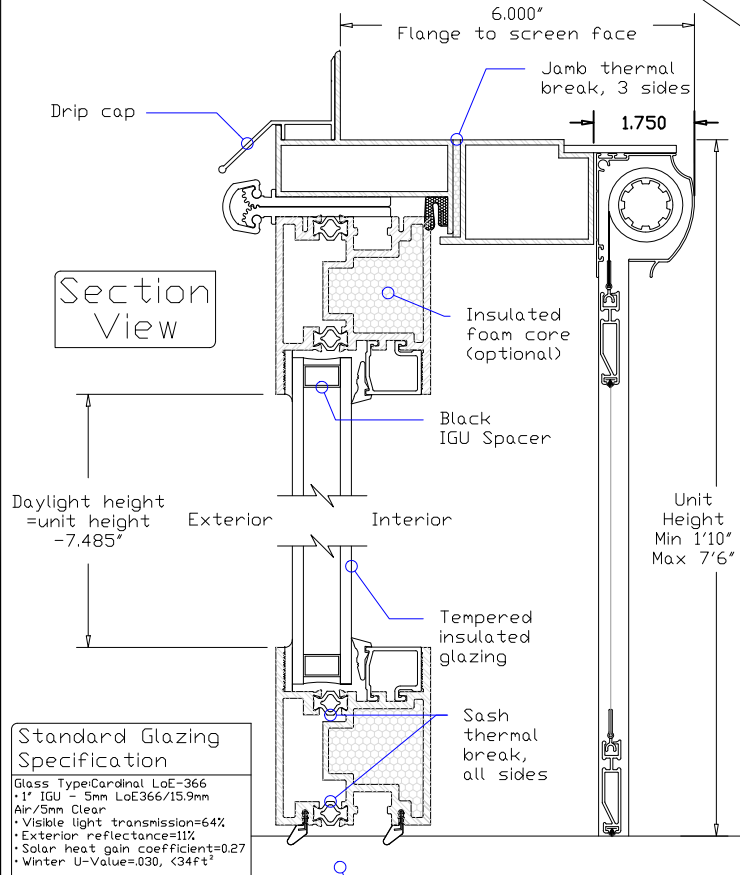
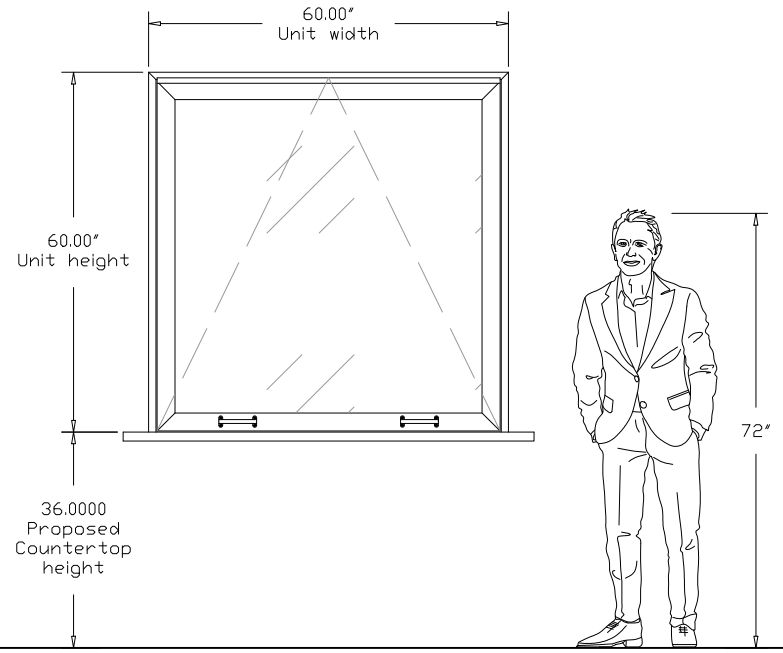
Date:

Window operation: Please note the end user open and closing operation of a gas strut window may vary from user to user based on the Individuals height, weight, reach, and overall physical capability. Pay special attention to your window height placement and the ability to reach it in the open position to close it. Window opening height/angle can be adjusted on request.



Elevation View

SURFACE MOUNT SCREEN



Standard Glazing Specification

Glass Type: Cardinal LoE-366
 • 1" IGU - 5mm LoE366/15.9mm Air/5mm Clear
 • Visible light transmission=64%
 • Exterior reflectance=11%
 • Solar heat gain coefficient=0.27
 • Winter U-Value=.030, <34ft²

or

Glass Type: Cardinal LoE-366
 • 1" IGU - 6mm LoE366/12.7mm Air/6mm Clear
 • Visible light transmission=63%
 • Exterior reflectance=11%
 • Solar heat gain coefficient=0.28
 • Winter U-Value=.029, >34ft²

Finish counter by others. Dual Weather stripping seals to countertop, counter supplied by others should be flat and smooth for optimum operation and air/water tightness. OPTVUE recommends that the countertop should be installed prior to window installation.

General Notes

Production Info

Build Dimensions

Unit Width	60.0000
Unit Height	60.0000
Sash Width	57.6250
Sash Height	58.4375
Glass Width	52.8750
Glass Height	53.6250
Sash Center	28.8125

Finish Schedule

Jamb Exterior	Color
Sash Exterior	Color
Jamb Interior	Color
Sash Interior	Color
Sash core/edge	Color
Hinge Exterior	Color
Handle Exterior	Color
Handle Interior	Color
Struts Interior	Color
Strut Mount	Stainless
-	-
Strut Cover	Color
Drip Cap	Color
IGU Spacer	Color
Screen Track	Color
Screen Mesh	Color
Weather Strip	Color

Manufacturer Name and Address

OPTVUE
 3204 PRODUCTION AVE
 OCEANSIDE, CA 92058
 +1(760) 760-0110

OPTVUE™

JOB NAME CUSTOMER	Sheet 1
Date 10/01/2023	
Scale -	