

THRUVue™ INFINITY GAS STRUT WINDOW

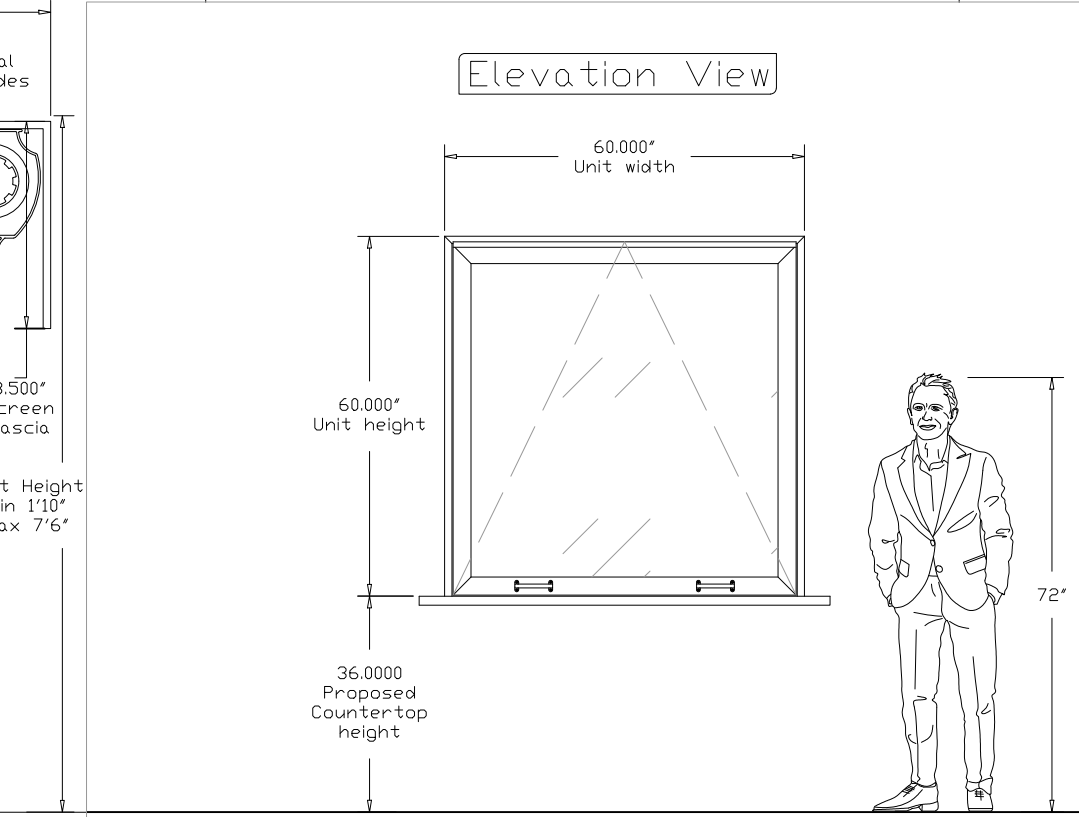
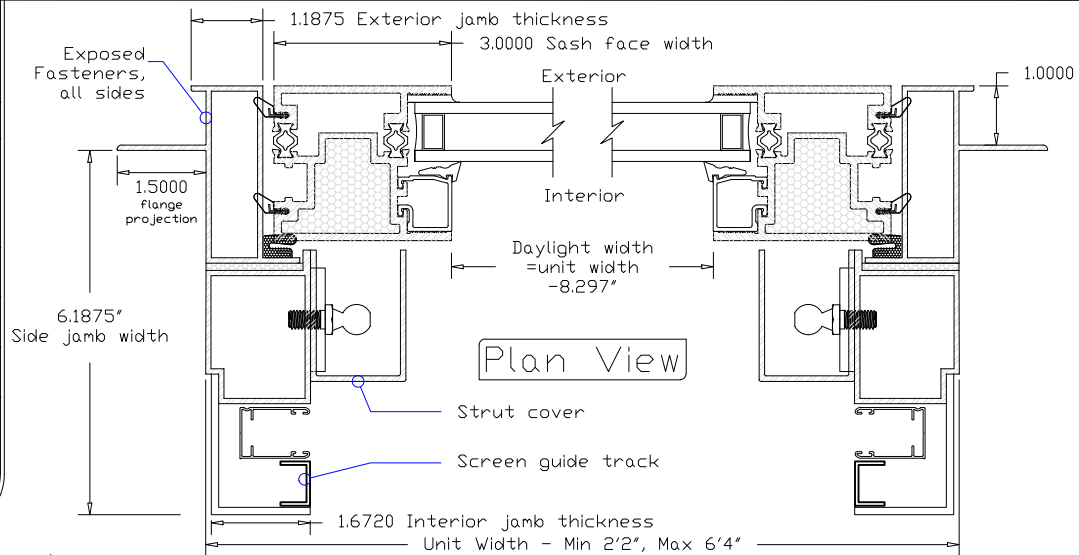
BUILD 3 SL ALUMINUM EXTERIOR/INTERIOR NO SILL

Unit Width: 72"	Open angle 90° Straight out 90°
Unit Height: 60"	
R.O. Width: 72½"	
R.O. Height: 60½"	

Approved By:

Date:

Window operation: Please note the end user open and closing operation of a gas strut window may vary from user to user based on the Individuals height, weight, reach, and overall physical capability. Pay special attention to your window height placement and the ability to reach it in the open position to close it. Window opening height/angle can be adjusted on request.



Section View

Elevation View

Standard Glazing Specification

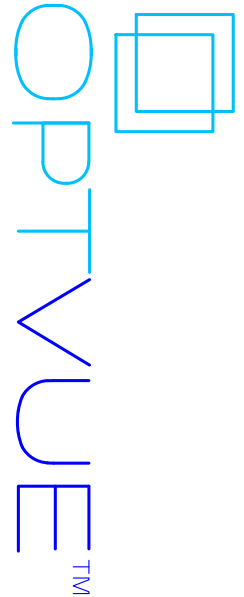
Glass Type: Cardinal LoE-366
 • 1" IGU - 5mm LoE366/15.9mm
 Air/5mm Clear
 • Visible light transmission=64%
 • Exterior reflectance=11%
 • Solar heat gain coefficient=0.27
 • Winter U-Value=.030, <34ft²

or

Glass Type: Cardinal LoE-366
 • 1" IGU - 6mm LoE366/12.7mm
 Air/6mm Clear
 • Visible light transmission=63%
 • Exterior reflectance=11%
 • Solar heat gain coefficient=0.28
 • Winter U-Value=.029, >34ft²

Finish counter by others.
 Dual Weather stripping seals to countertop, counter supplied by others should be flat and smooth for optimum operation and air/water tightness.
 OPTVUE recommends that the countertop should be installed prior to window installation.

General Notes



Finish Schedule

Jamb Exterior	Color
Sash Exterior	Color
Jamb Interior	Color
Sash Interior	Color
Sash core/edge	Color
Hinge Exterior	Color
Handle Exterior	Color
Handle Interior	Color
Struts Interior	Black
Strut Mount	Stainless
-	-
Strut Cover	Color
Drip Cap	Color
IGU Spacer	Black
Screen Track	Color
Screen Mesh	Black
Weather Strip	Black

Manufacturer Name and Address
 OPTVUE
 3204 PRODUCTION AVE
 OCEANSIDE, CA 92058
 +1(760) 760-0110

Project Name and Address
 PROJECTNAME
 PROJECTADDRESS1
 PROJECTADDRESS2
 PROJECTADDRESS3

Project	CUSTOMER	Sheet	1
Date	11/24/2023		
Scale	-		