

THRUUVUE™ INFINITY MOTORIZED WINDOW

BUILD 2 EL ALUM EXTERIOR/MAHOGANY INTERIOR

Unit width: 60.0"

Open angle

Unit height: 60.0"

Straight out

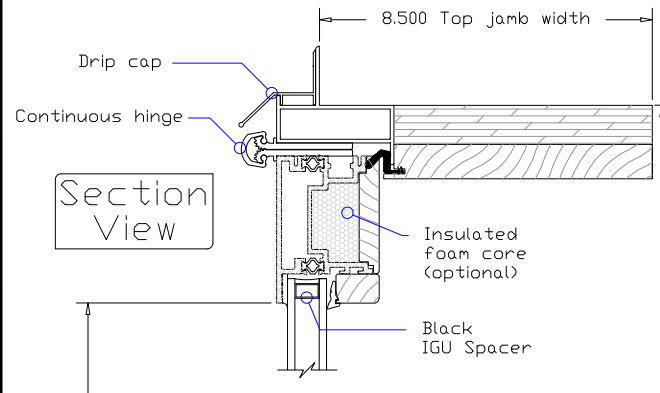
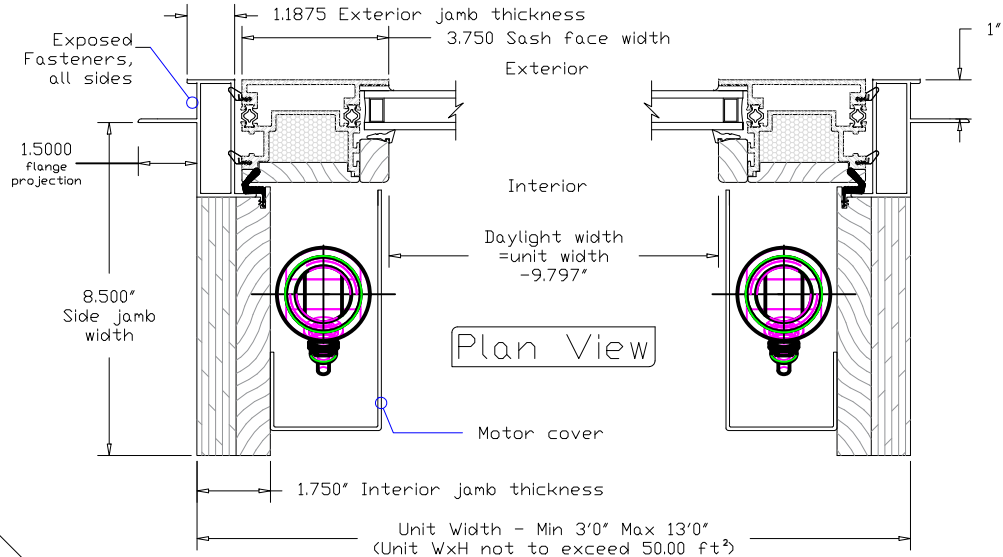
R.O. width: 60½"



R.O. height: 60½"

Approved By:

Date:

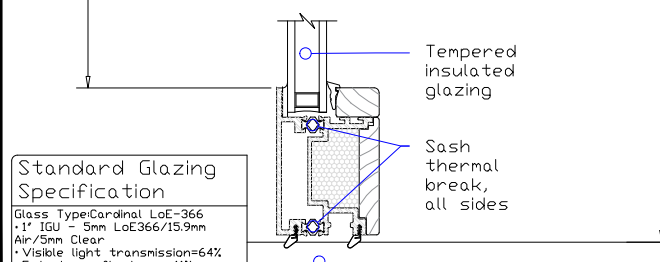


Daylight height = unit height - 8.985"

Exterior

Interior

Unit Height Min 3'8" Max 6'6" Unit WxH not to exceed 50.00 ft²



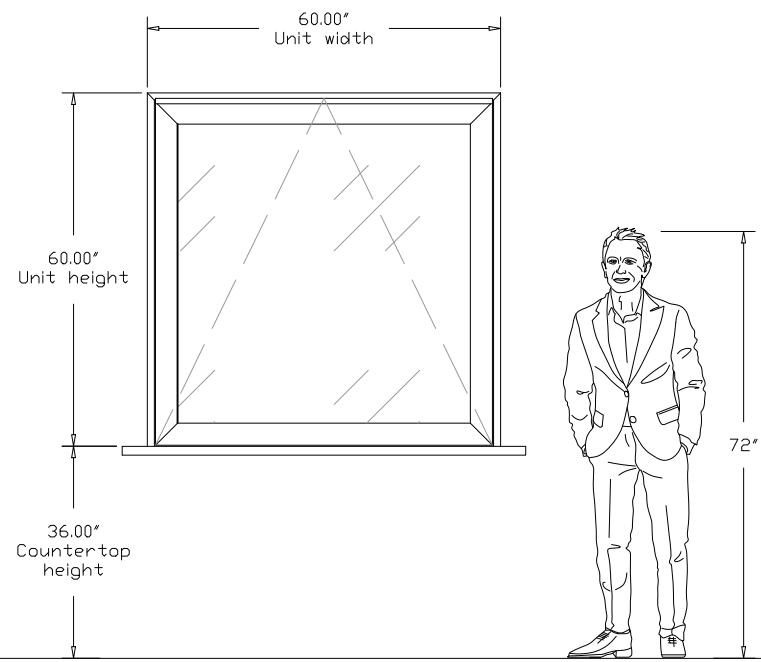
Standard Glazing Specification

Glass Type: Cardinal LoE-366
 • 1" IGU - 5mm LoE366/15.9mm Air/5mm Clear
 • Visible light transmission=64%
 • Exterior reflectance=11%
 • Solar heat gain coefficient=0.27
 • Winter U-Value=.030, <34ft²

or

Glass Type: Cardinal LoE-366
 • 1" IGU - 6mm LoE366/12.7mm Air/6mm Clear
 • Visible light transmission=63%
 • Exterior reflectance=11%
 • Solar heat gain coefficient=0.28
 • Winter U-Value=.029, >34ft²

Elevation



General Notes

Finish Schedule	
Jamb Ext	Color
Sash Ext	Color
Jamb Int	Color
Sash Int	Color
Sash Core	Color
Hinge Ext	Color
Handle Ext	Color
Handle Int	Color
Struts Int	Black
Strut Mount	Stainless
Strut Cover	Color
Drip Cap	Color
IGU Spacer	Black
Screen track	N/A
Screen Mesh	N/A
Weather Strip	Black

Manufacturer Name and Address

OPTVUE
 3204 PRODUCTION AVE
 OCEANSIDE, CA 92058
 +1(760) 760-0110

Project Name and Address

PROJECTNAME
 PROJECTADDRESS1
 PROJECTADDRESS2
 PROJECTADDRESS3

Project CUSTOMER	Sheet
Date 10/01/2023	1
Scale -	