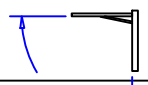


THRUVUE™ INFINITY MOTORIZED WINDOW

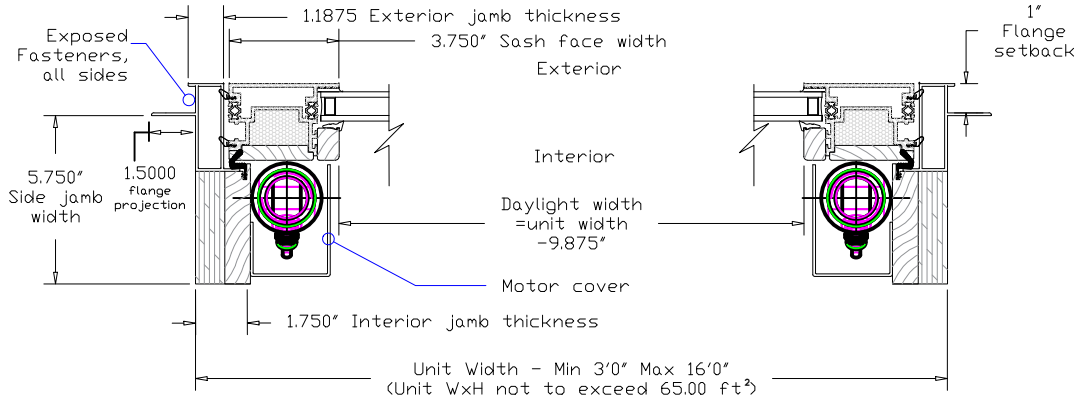
BUILD 2 EL ALUMINUM EXT/SAPELE MAHOGANY INT

Unit Width:	120.000"	Open angle Straight out  90°
Unit Height:	60.000"	
R.O. Width:	120.500"	
R.O. Height:	60.500"	

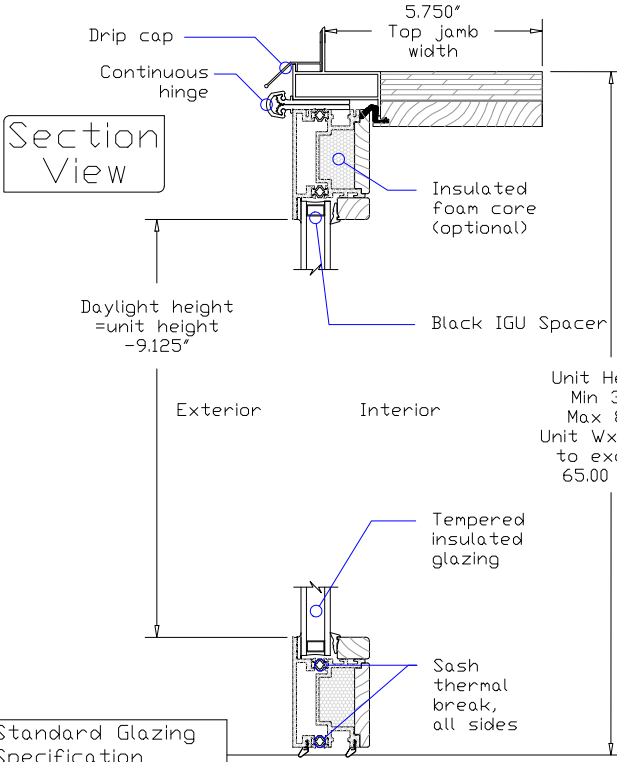
Approved By: _____

Date: _____

Note:
RO Width: Rough Opening width is from framing to framing
RO Height: Rough Opening height is from countertop to framing

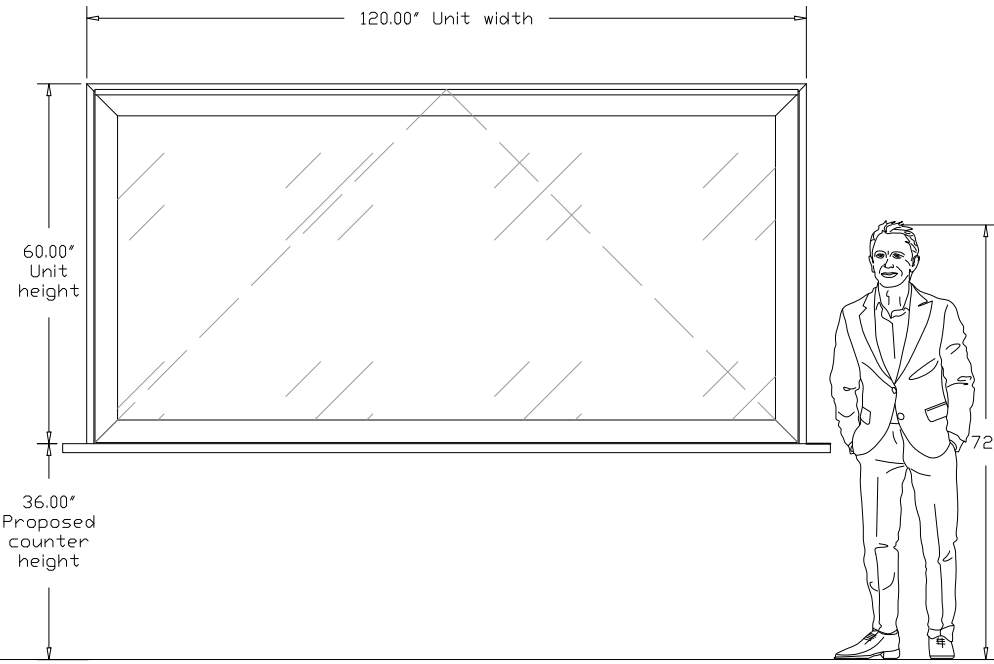


Plan View



Section View

Elevation



Standard Glazing Specification

Glass Type: Cardinal LoE-366
 • 1" IGU - 5mm LoE366/15.9mm
 Air/5mm Clear
 • Visible light transmission=64%
 • Exterior reflectance=11%
 • Solar heat gain coefficient=0.27
 • Winter U-Value=0.30, <34ft²

or

Glass Type: Cardinal LoE-366
 • 1" IGU - 6mm LoE366/12.7mm
 Air/6mm Clear
 • Visible light transmission=63%
 • Exterior reflectance=11%
 • Solar heat gain coefficient=0.28
 • Winter U-Value=0.29, >34ft²

Finish counter by others. Dual Weather stripping seals to countertop, counter supplied by others should be flat and smooth for optimum operation and air/water tightness. OPTVUE recommends that the countertop should be installed prior to window installation.

General Notes	
Production Info	
Build Dimensions	
Unit Width	120.0000
Unit Height	60.0000
Sash Width	117.6250
Sash Height	58.3125
Glass Width	111.3750
Glass Height	52.0000
Sash Center	58.8125

Finish Schedule	
Jamb Exterior	Black
Sash Exterior	Black
Jamb Interior	Bare Wood
Sash Interior	Bare Wood
Sash core/edge	Blk Anodize
Hinge Exterior	Black
Handle Exterior	N/A
Handle Interior	N/A
Motor Interior	Black
Motor Mount	Stainless
-	-
Motor Cover	Veneer
Drip Cap	Black
IGU Spacer	Black
Screen Track	N/A
Screen Mesh	N/A
Weather Strip	Black

Manufacturer Name and Address

OPTVUE
 3204 PRODUCTION AVE
 OCEANSIDE, GA 92058
 +1(760) 760-0110



JOB NAME	SHEET
OPTVUE CUSTOMER	1
Date	
03/22/25	
Scale	
-	