

THRUVUE™ INFINITY GAS STRUT WINDOW

BUILD 3 SL ALUMINUM EXTERIOR/INTERIOR W/SILL

Unit width: Open angle

Unit height: 90° Straight out

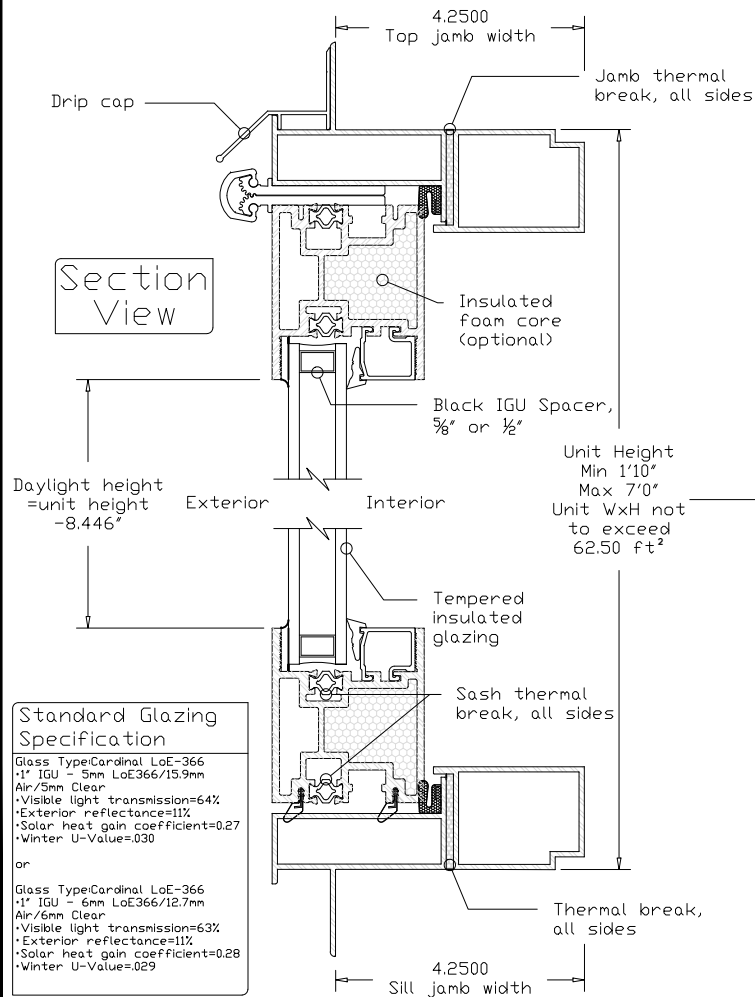
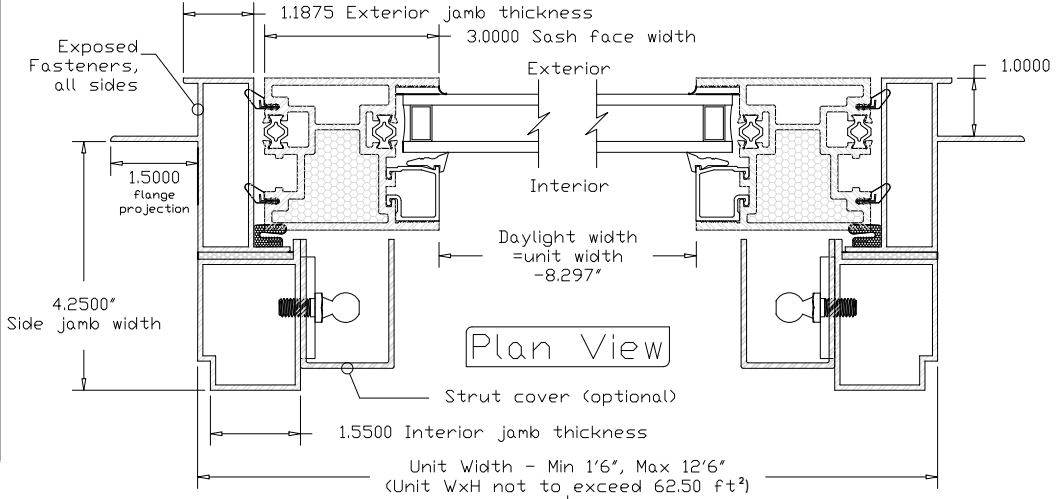
R.O. width: 

R.O. height:

Approved By:

Date:

Window operation:
Please note the end user open and closing operation of a gas strut window may vary from user to user based on the Individuals height, weight, reach, and overall physical capability. Pay special attention to your window height placement and the ability to reach it in the open position to close it.

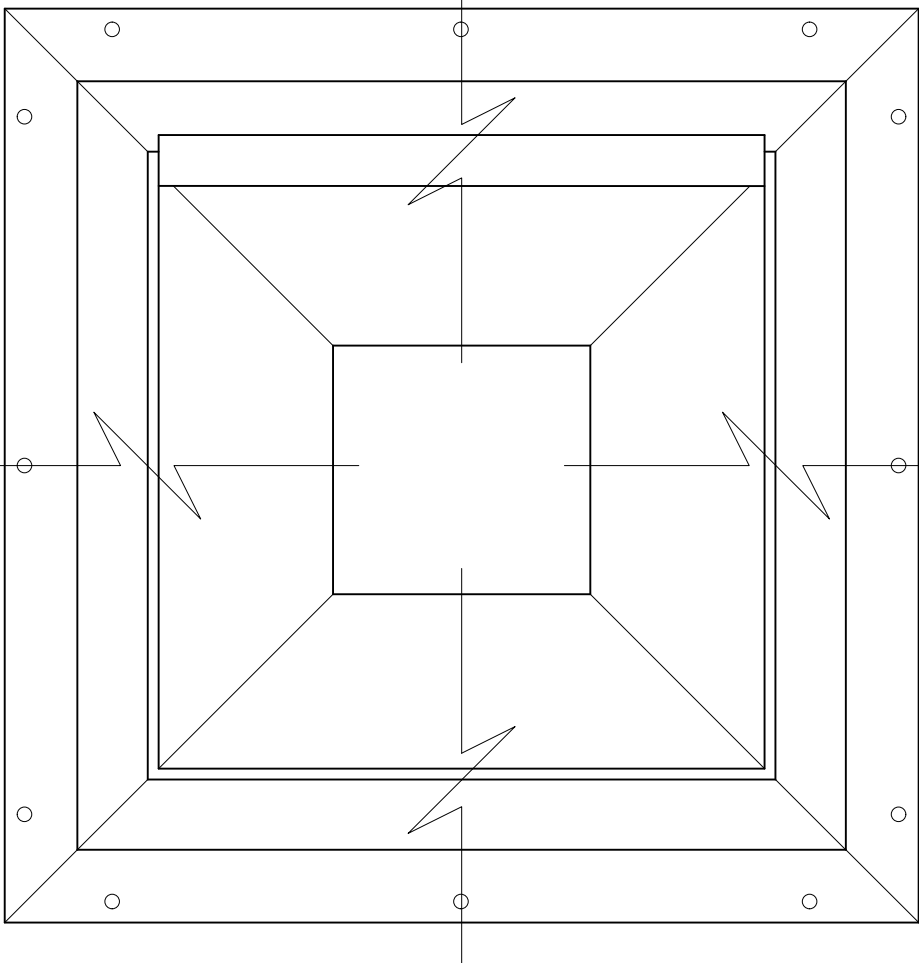


Standard Glazing Specification

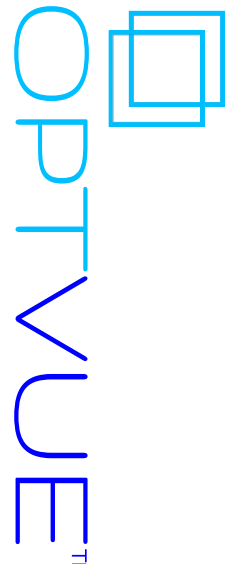
Glass Type: Cardinal LoE-366
 • 1" IGU - 5mm LoE366/15.9mm
 Air/5mm Clear
 • Visible light transmission=64%
 • Exterior reflectance=11%
 • Solar heat gain coefficient=0.27
 • Winter U-Value=0.30

or

Glass Type: Cardinal LoE-366
 • 1" IGU - 6mm LoE366/12.7mm
 Air/6mm Clear
 • Visible light transmission=63%
 • Exterior reflectance=11%
 • Solar heat gain coefficient=0.28
 • Winter U-Value=0.29



General Notes



Finish Schedule

| | |
|---------------|-------|
| Jamb Ext | Color |
| Sash Ext | Color |
| Jamb Int | Color |
| Sash Int | Color |
| Sash Core | Color |
| Hinge Ext | Color |
| Handle Ext | Color |
| Handle Int | Color |
| Struts Int | Color |
| Strut Mount | Color |
| Strut Cover | Color |
| Drip Cap | Color |
| IGU Spacer | Black |
| Screen track | Color |
| Screen Mesh | Black |
| Weather Strip | Black |

Manufacturer Name and Address
 OPTVUE
 3204 PRODUCTION AVE
 OCEANSIDE, CA 92058
 +1(760) 760-0110

Project Name and Address
 PROJECTNAME
 PROJECTADDRESS1
 PROJECTADDRESS2
 PROJECTADDRESS3

| | | | |
|---------|-----------------|-------|---|
| Project | OPTVUE CUSTOMER | Sheet | |
| Date | 9/1/2023 | | 1 |
| Scale | - | | |