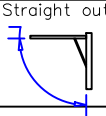


THRUUVUE™ INFINITY GAS STRUT WINDOW

BUILD 3 SL ALUMINUM EXTERIOR/INTERIOR NO SILL

Unit width: Open angle

Unit height: 90° Straight out

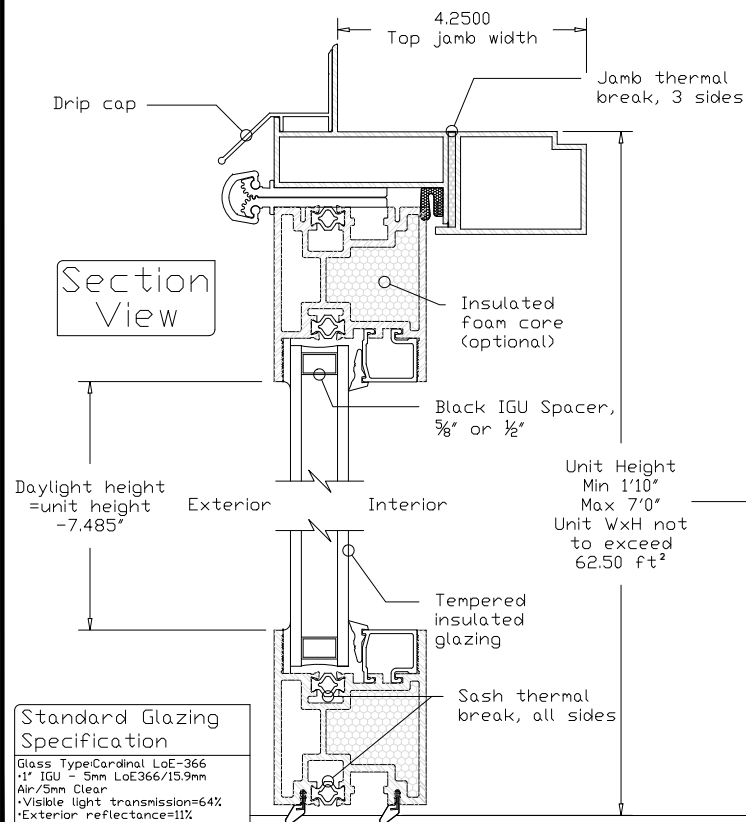
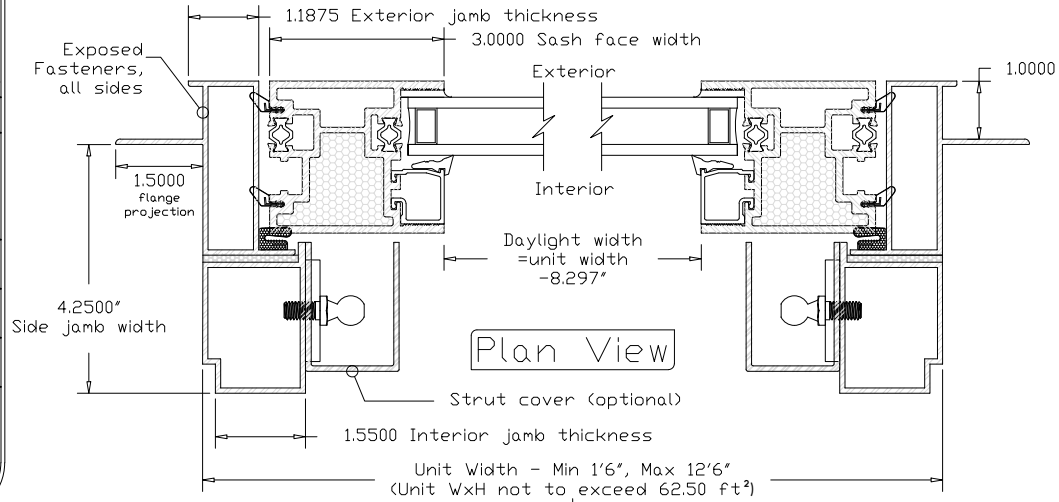
R.O. width: 

R.O. height:

Approved By:

Date:

Window operation:
Please note the end user open and closing operation of a gas strut window may vary from user to user based on the Individuals height, weight, reach, and overall physical capability. Pay special attention to your window height placement and the ability to reach it in the open position to close it.

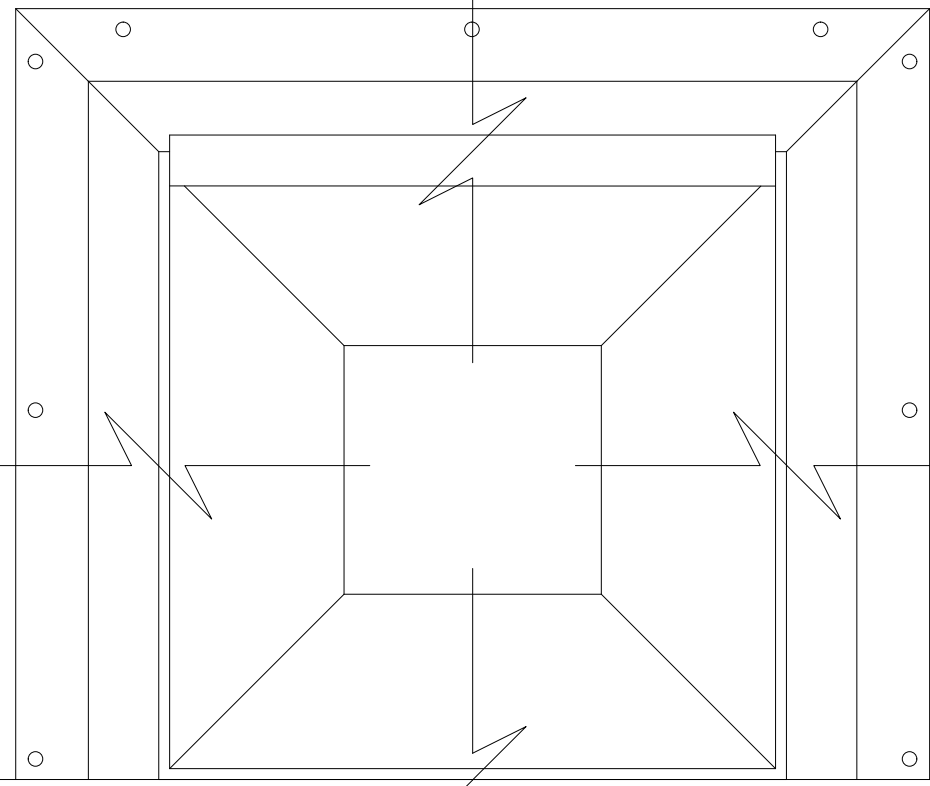


Standard Glazing Specification

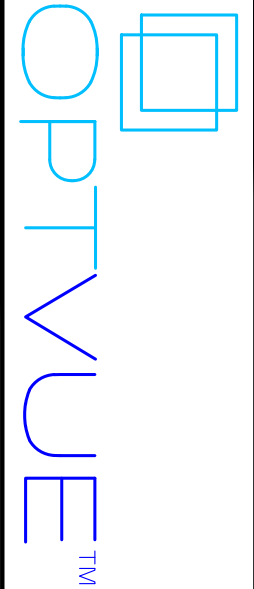
Glass Type: Cardinal LoE-366
 • 1" IGU - 5mm LoE366/15.9mm Air/5mm Clear
 • Visible light transmission=64%
 • Exterior reflectance=11%
 • Solar heat gain coefficient=0.27
 • Winter U-Value=.030

or

Glass Type: Cardinal LoE-366
 • 1" IGU - 6mm LoE366/12.7mm Air/6mm Clear
 • Visible light transmission=63%
 • Exterior reflectance=11%
 • Solar heat gain coefficient=0.28
 • Winter U-Value=.029



General Notes



Finish Schedule

Jamb Ext	Color
Sash Ext	Color
Jamb Int	Color
Sash Int	Color
Sash Core	Color
Hinge Ext	Color
Handle Ext	Color
Handle Int	Color
Struts Int	Color
Strut Mount	Color
Strut Cover	Color
Drip Cap	Color
IGU Spacer	Black
Screen track	N/A
Screen Mesh	N/A
Weather Strip	Black

Manufacturer Name and Address
 OPTVUE
 3204 PRODUCTION AVE
 OCEANSIDE, CA 92058
 +1(760) 760-0110

Project Name and Address
 PROJECTNAME
 PROJECTADDRESS1
 PROJECTADDRESS2
 PROJECTADDRESS3

Project	OPTVUE CUSTOMER	Sheet	
Date	9/1/2023		1
Scale	-		