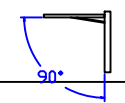


THRUVUE™ INFINITY MOTORIZED WINDOW

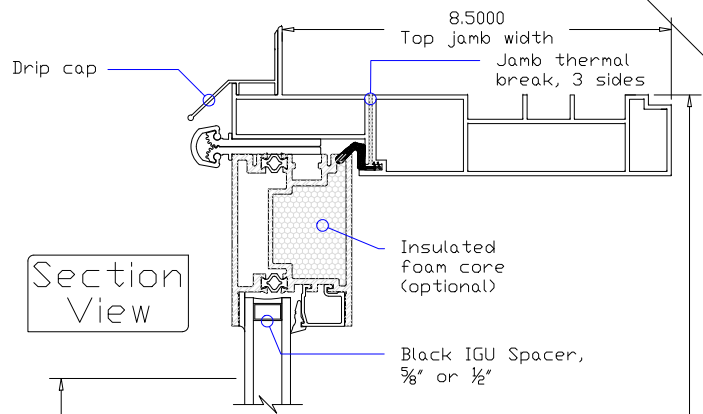
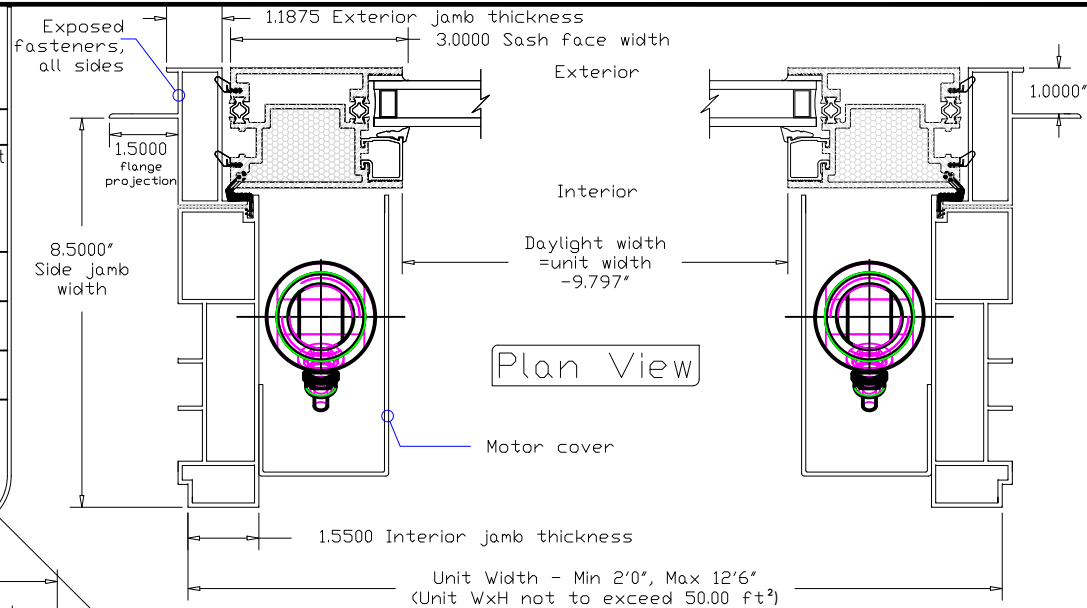
BUILD 3 SL ALUMINUM EXT/ ALUMINUM INT

Unit Width:	96.000"	Open angle
Unit Height:	60.000"	
R.O. Width:	96.500"	Straight out
R.O. Height:	60.500"	



Approved By:

Date:

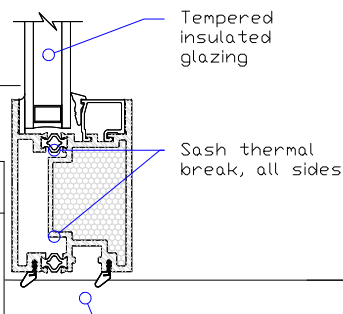


Exterior

Interior

Daylight height = unit height - 8.985"

Unit Height Min 3'4" Max 7'0" Unit WxH not to exceed 50.00 ft²



Standard Glazing Specification

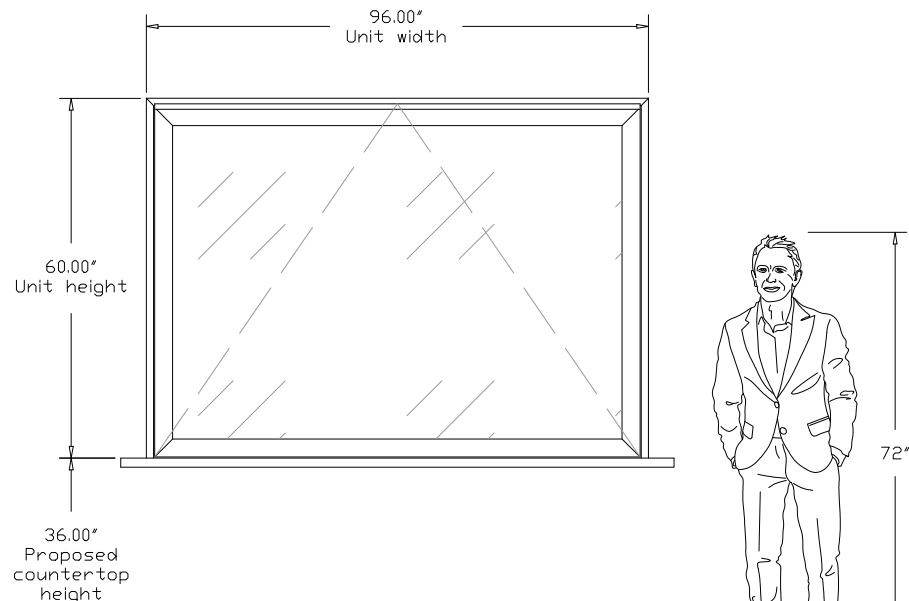
Glass Type: Cardinal LoE-366
 • 1" IGU - 5mm LoE366/15.9mm Air/5mm Clear
 • Visible light transmission=64%
 • Exterior reflectance=11%
 • Solar heat gain coefficient=0.27
 • Winter U-Value=0.30, <34ft²

or

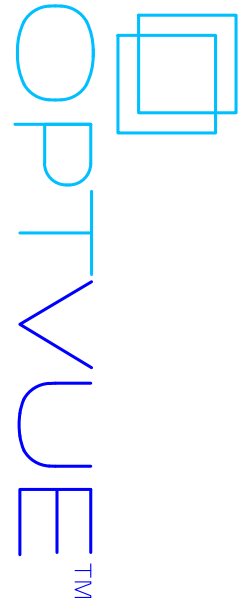
Glass Type: Cardinal LoE-366
 • 1" IGU - 6mm LoE366/12.7mm Air/6mm Clear
 • Visible light transmission=63%
 • Exterior reflectance=11%
 • Solar heat gain coefficient=0.28
 • Winter U-Value=0.29, >34ft²

Finish counter by others. Dual Weather stripping seals to countertop, counter supplied by others should be flat and smooth for optimum operation and air/water tightness. OPTVUE recommends that the countertop should be installed prior to window installation.

Elevation



General Notes



Finish Schedule

Jamb Exterior	Color
Sash Exterior	Color
Jamb Interior	Color
Sash Interior	Color
Sash core/edge	Color
Hinge Exterior	Color
Handle Exterior	N/A
Handle Interior	N/A
Motor Interior	Black
Motor Mount	Stainless
-	-
Motor Cover	Color
Drip Cap	Color
IGU Spacer	Black
Screen Track	N/A
Screen Mesh	N/A
Weather Strip	Black

Manufacturer Name and Address

OPTVUE
 3204 PRODUCTION AVE
 OCEANSIDE, CA 92058
 +1(760) 760-0110

DELIVERY ADDRESS

PROJECTNAME
 PROJECTADDRESS1
 PROJECTADDRESS2
 PROJECTADDRESS3

JOB NAME

OPTVUE CUSTOMER

Sheet

Date: 0/0/0

Scale: -

1